



actual size

Oscillator · LVDS · JOD32

SMD Low Voltage LVDS Oscillator · 3.2 x 2.5 mm

- drives fast LVDS logic
- complementary output, low EMI
- reflow soldering temperature: 260 °C max.
- compact & flat ceramic/metal package



General Data

type		JOD32 3.3V & 2.5V (3rd OT)
frequency range		65.0 ~ 190.0 MHz
frequency stability over all*		± 25 ppm ~ ± 100 ppm (see table 1)
current consumption		25 mA max.
supply voltage V _{DC}		3.3 V ±5% / 2.5 V ±5%
temperature	operating	-20 °C ~ +70 °C (T0)
		-40 °C ~ +85 °C (T1)
		-40 °C ~ +105 °C (T2*)
		-40 °C ~ +125 °C (T3*)
	storage	-55 °C ~ +125 °C
output	rise & fall time	0.4 ns (20% ~ 80% of V _{pp})
	load nom.	100 Ω differential
	swing min.	0.33 V _{p-p} typ. / 0.25 V _{p-p} min.
	offset voltage	1.25 V ±0.125 V
output enable time max.		10 ms
output disable time max.		200 ms
start-up time max.		10 ms
standby function		stop
standby current max.		10 µA
phase jitter 12 kHz ~ 20.0 MHz		< 0.5 ps RMS
symmetry at 50% of V _{pp}		45% ~ 55% (40% ~ 60% if T3)

Table 1: Frequency Stability Code

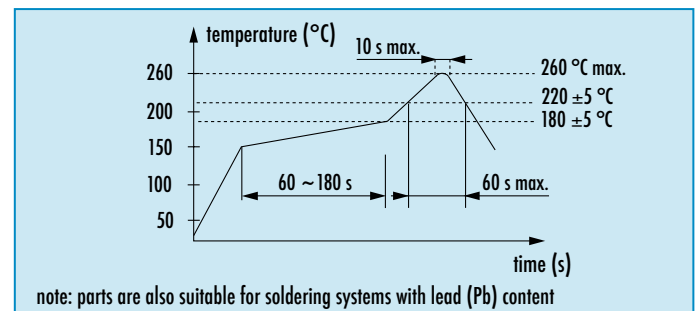
stability code / temp. code*	A ± 100 ppm	B ± 50 ppm	G ± 30 ppm	C ± 25 ppm
-20 °C ~ +70 °C T0	○	○	○	○
-40 °C ~ +85 °C T1	○	○	○	
-40 °C ~ +105 °C T2*	○	○		
-40 °C ~ +125 °C T3*	○	○		

* includes stability at 25 °C, operating temp. range, supply voltage change, shock and vibration, aging 1st year.

Enable / Disable Function

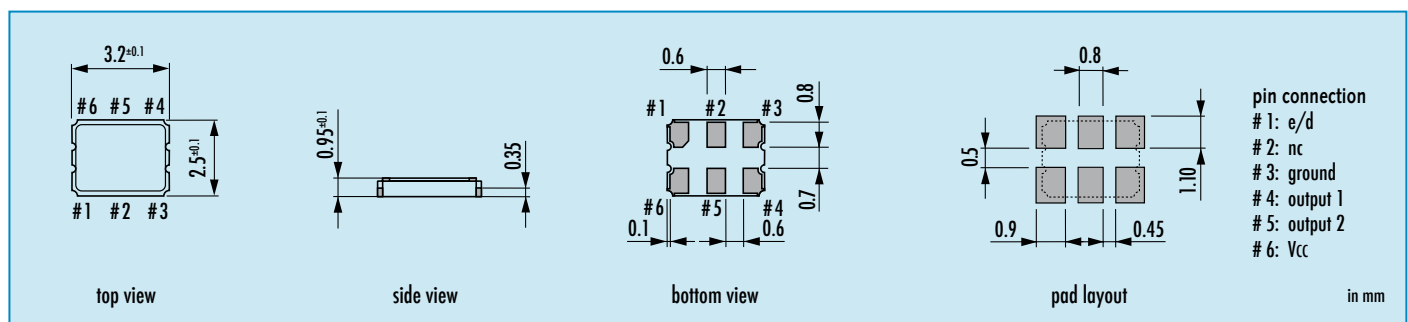
pin #1 (e/d control)	pin #4 / #5 (outputs)
open or ≥ 0.7 V _{CC}	enable
gnd or ≥ 0.3 V _{CC}	high impedance

Reflow Soldering Profile



* ask for availability of higher temperature ranges and frequency stabilities

Dimensions



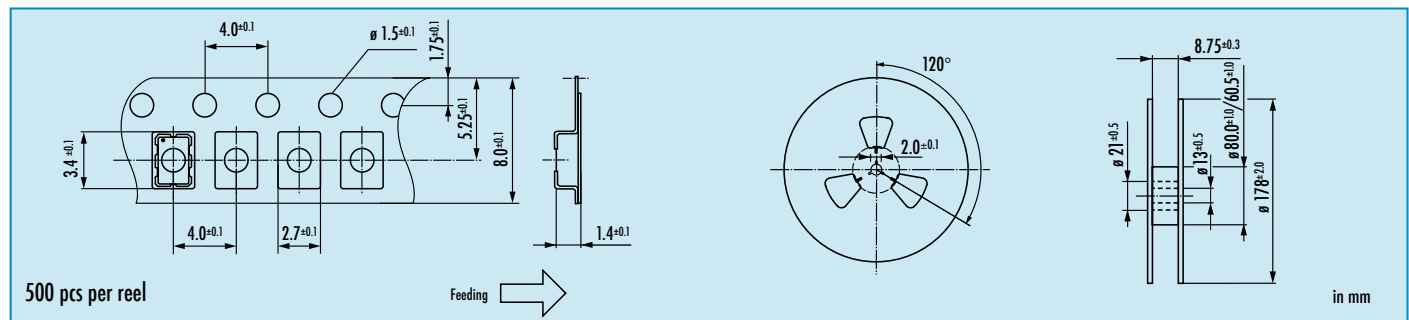
Order Information

0	frequency	type	frequency stability code	supply voltage code	option
Oscillator	65.0 ~ 190.0 MHz	JOD32	see table 1	2.5 = 2.5 V 3.3 = 3.3 V	T0 = -20 °C ~ +70 °C T1 = -40 °C ~ +85 °C T2 = -40 °C ~ +105 °C please ask T3 = -40 °C ~ +125 °C please ask

Example: O 156.250-JOD32-B-3.3-T1-LF (LF = RoHS compliant / Pb free)

Oscillator · LVDS · JOD32

Taping Specification



Packing Note

- standard packing units are 500 pieces per reel
- non-multiple packing units are only supplied taped / bulk

Marking

company code / frequency

□ DF / internal code / date code

date code:

A ~ M: Jan. - Dec.

6: 2016 9: 2019

7: 2017 0: 2020

8: 2018 1: 2021

Jan.	Febr.	Mar.	Apr.	May	June
A	B	C	D	E	F
July	Aug.	Sept.	Oct.	Nov.	Dec.
G	H	J	K	L	M